

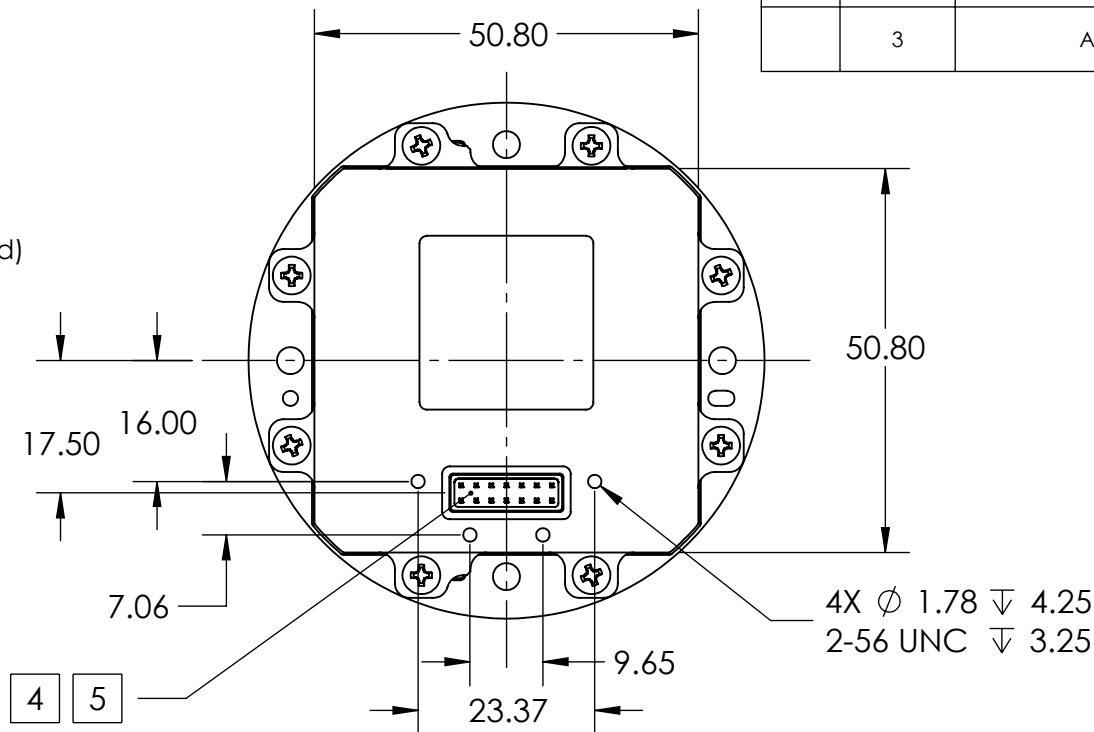
THE INFORMATION IN THIS DRAWING IS THE SOLE PROPERTY OF ANELLO PHOTONICS INC. ANY REPRODUCTION IN PART OR WHOLE WITHOUT THE WRITTEN PERMISSION OF ANELLO PHOTONICS INC. IS PROHIBITED

REVISIONS

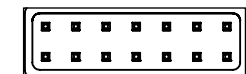
ZONE	REV.	DESCRIPTION	DATE	APPROVED
	1	INITIAL RELEASE	3/14/2024	T. KRIDL
	2	Removed Heat Sink/Mounting Plate	4/28/2025	T.KRIDL
	3	Added Breakout Board Pin Outs	6/1/2026	T. KRIDL

NOTES, UNLESS OTHERWISE SPECIFIED:

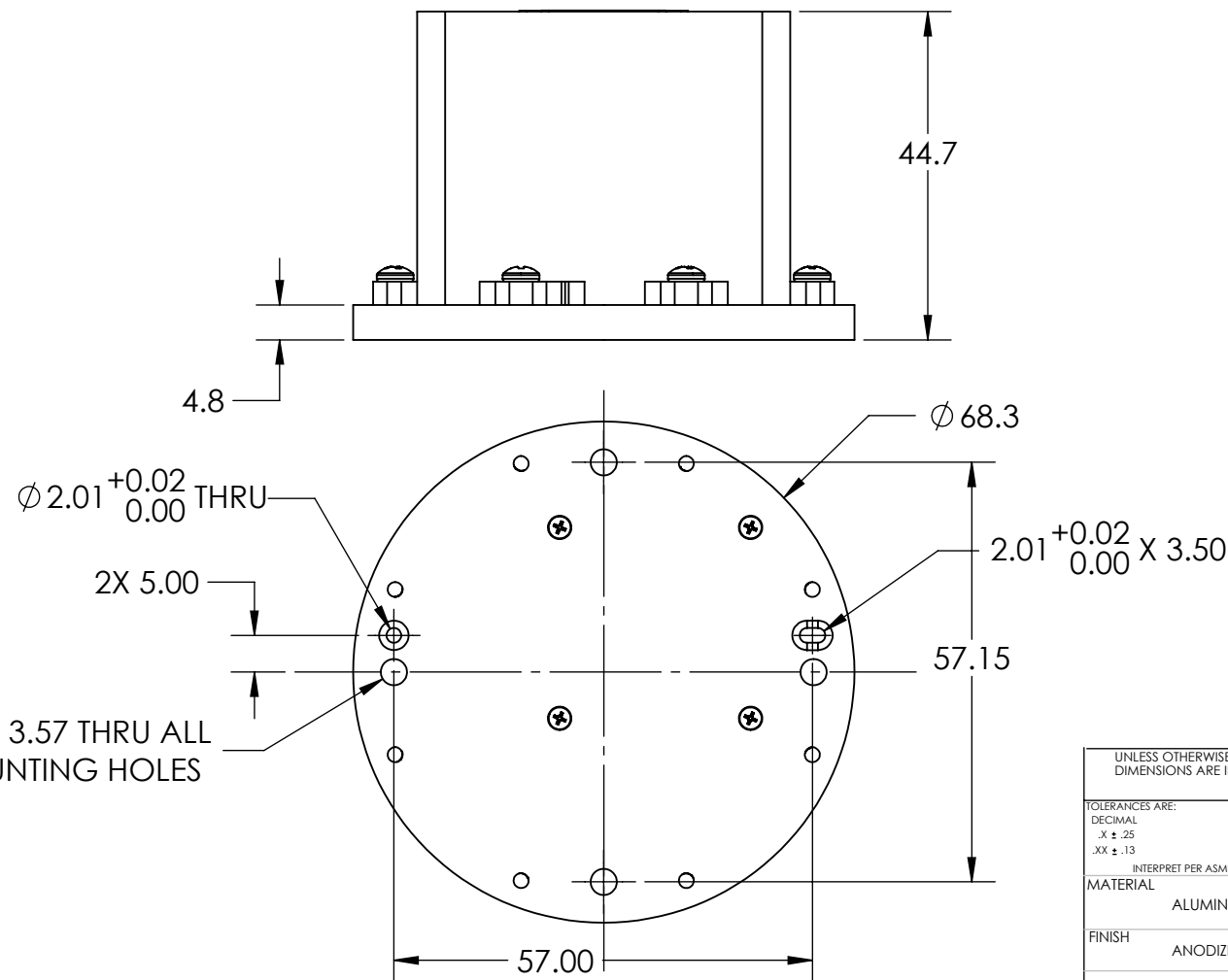
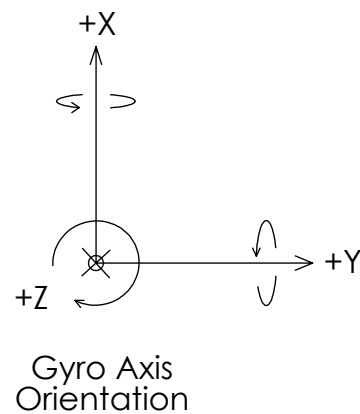
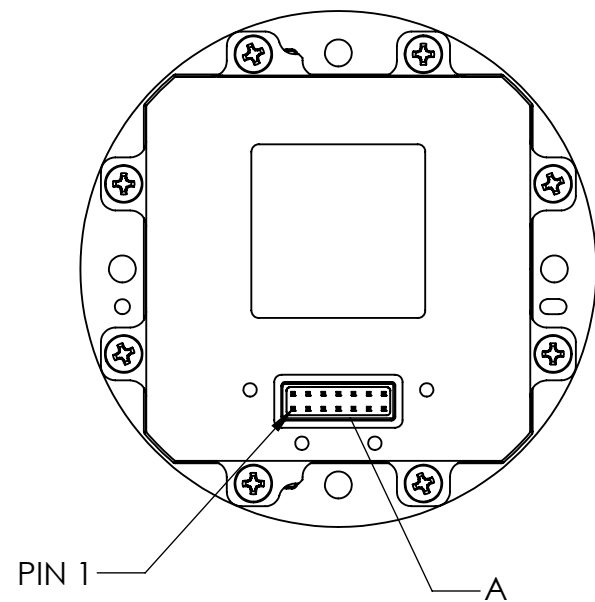
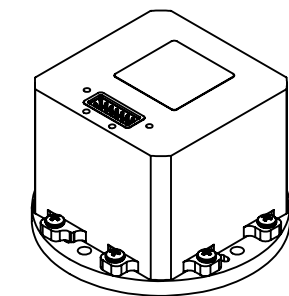
- DIMENSIONS AND TOLERANCES ARE IN ACCORDANCE WITH ASME Y14.5M-1994.
- INTERPRET DRAWING IN ACCORDANCE WITH ASME Y14.100.
- THIS IS A CAD GENERATED PART. FOR DIMENSIONAL OR ANY INFORMATION NOT SHOWN ON THIS DRAWING, ANALYZE THE CAD MODEL.
- CONNECTOR: SAMTEC MTMM-107-05-I-D-200 OR EQUIV
- MATING CONNECTOR: SAMTEC CLT-107-03-L-D OR EQUIV
- APPROXIMATE WEIGHT = 180g (X3 Module only)
= 450g (with Mounting Plate and Breakout Board)
- CONNECTOR: MOLEX MICROFIT 430451427
- MATING CONNECTOR: MOLEX MICROFIT 430251400



CONNECTOR PINOUT			
PIN #	DESCRIPTION	PIN #	DESCRIPTION
1	GND	2	VIN
3	NC	4	NC
5	UART TX	6	RESET IN
7	UART RX	8	NC
9	RS-422 TX+	10	RS-422 TX-
11	RS-422 RX+	12	RS-422 RX-
13	SYNC IN	14	BIT

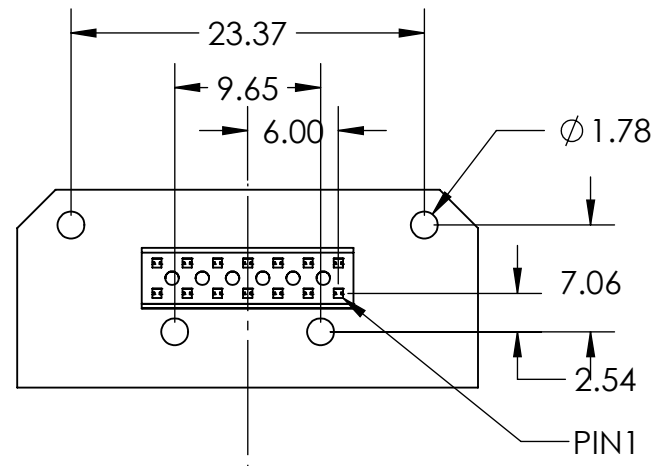


DETAIL A
SCALE 2 : 1

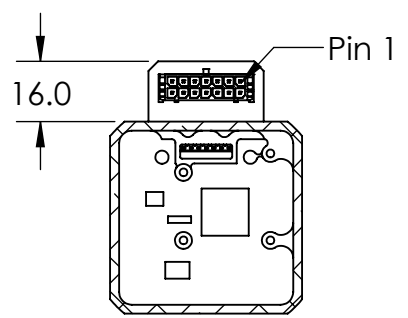
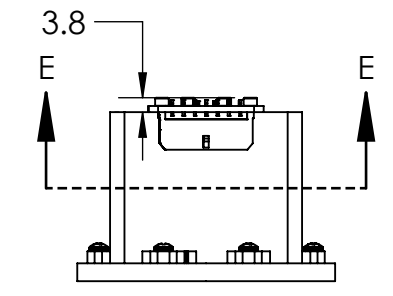
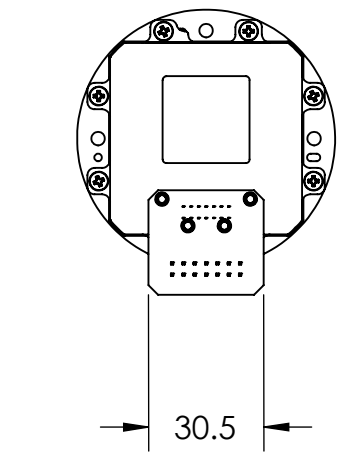
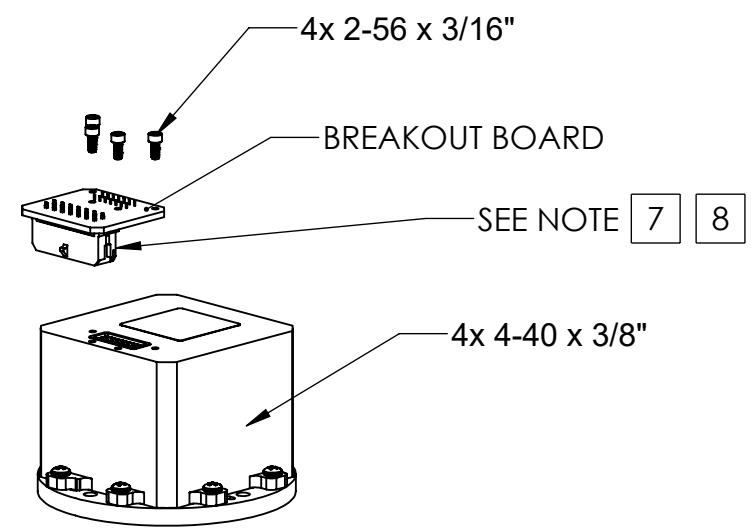


UNLESS OTHERWISE SPECIFIED DIMENSIONS ARE IN MM		SOLIDWORKS GENERATED DRAWING DO NOT MANUALLY UPDATE		ANELLO	
TOLERANCES ARE:	ANGLES	APPROVALS	DATE	TITLE:	
DECIMAL .X ± .25 .XX ± .13	ANGLES ± 5°	DWN T. Kridl	3/13/24	SPECIFICATION CONTROL DRAWING	
MATERIAL ALUMINUM				ANELLO X3	
FINISH ANODIZED				SIZE B	DWG. NO. 10000601-22
DO NOT SCALE DRAWING				SCALE: 1:1	UNITS: MM
				REV 3	SHEET 1 OF 2

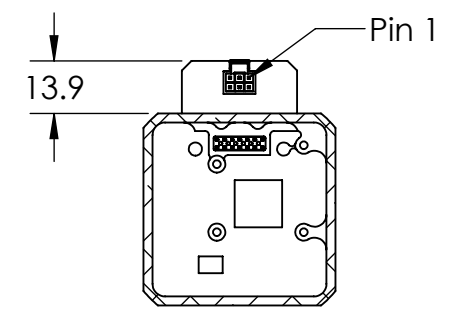
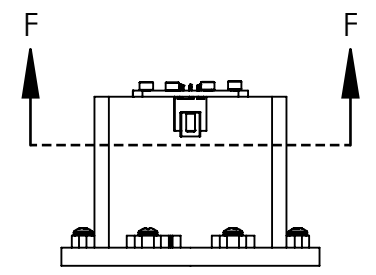
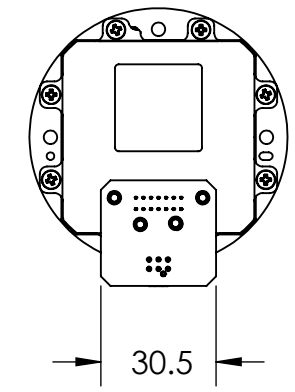
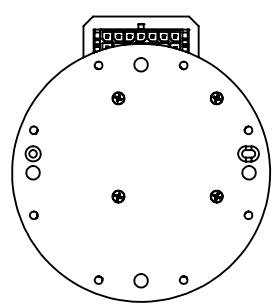
THE INFORMATION IN THIS DRAWING IS THE SOLE PROPERTY OF ANELLO PHOTONICS. ANY REPRODUCTION IN PART OR WHOLE WITHOUT THE WRITTEN PERMISSION OF ANELLO PHOTONICS, IS PROHIBITED



REFERENCE DESIGN FOR CONNECTOR BOARD



SECTION E-E SCALE 1 : 2



SECTION F-F SCALE 1 : 2

6 PIN BREAKOUT CONNECTOR PINOUT			
PIN #	DESCRIPTION	PIN #	DESCRIPTION
1	Vin	2	RS-422 TX-
3	RS-422 RX-	4	GRND
5	UART Rx	6	UART TX

3 With 6 Pin Connector Breakout Board

14 PIN BREAKOUT CONNECTOR PINOUT			
PIN #	DESCRIPTION	PIN #	DESCRIPTION
1	VIN	2	RESET IN
3	GRND	4	UART TX
5	GRND	6	RS-422 TX+
7	RS-422 TX-	8	GRND
9	SYNC IN	10	BIT
11	UART RX	12	GRND
13	RS-422 RX+	14	RS-422 RX-

With 14 Pin Connector Breakout Board 3

ANELLO
 SPECIFICATION CONTROL DRAWING
 ANELLO X3
 SIZE DWG. NO. REV
B 10000601-22 3
 SCALE: 1:1 SHEET 2 OF 2